

# Mounting instructions for masonry walls

## 01 Wall Shelf

weld & co

### MOUNTING:

1. Using a spirit level and a pencil, draw an approx. 80 cm line on the wall where you plan to hang the shelf.
2. Mark the middle of the line with a pencil. From this point, measure 35 cm to the left and to the right, marking these spots. The two marks indicate the distance between the two holes, 70 cm.
3. Using a 10-mm bit, drill two approx. 8-cm-deep holes into the wall.
4. Insert wall anchors in the holes and carefully tap them into place using a hammer.
5. Place a washer on each shelf support.
6. Screw both shelf supports into the wall anchors using a 10 mm-wrench until the thread has completely disappeared into the wall and the washer is tight against the wall.
7. Place the shelf onto the shelf supports.

### OUR TIP:

**Get a second person to help you hang the shelf.**

### PLEASE NOTE:

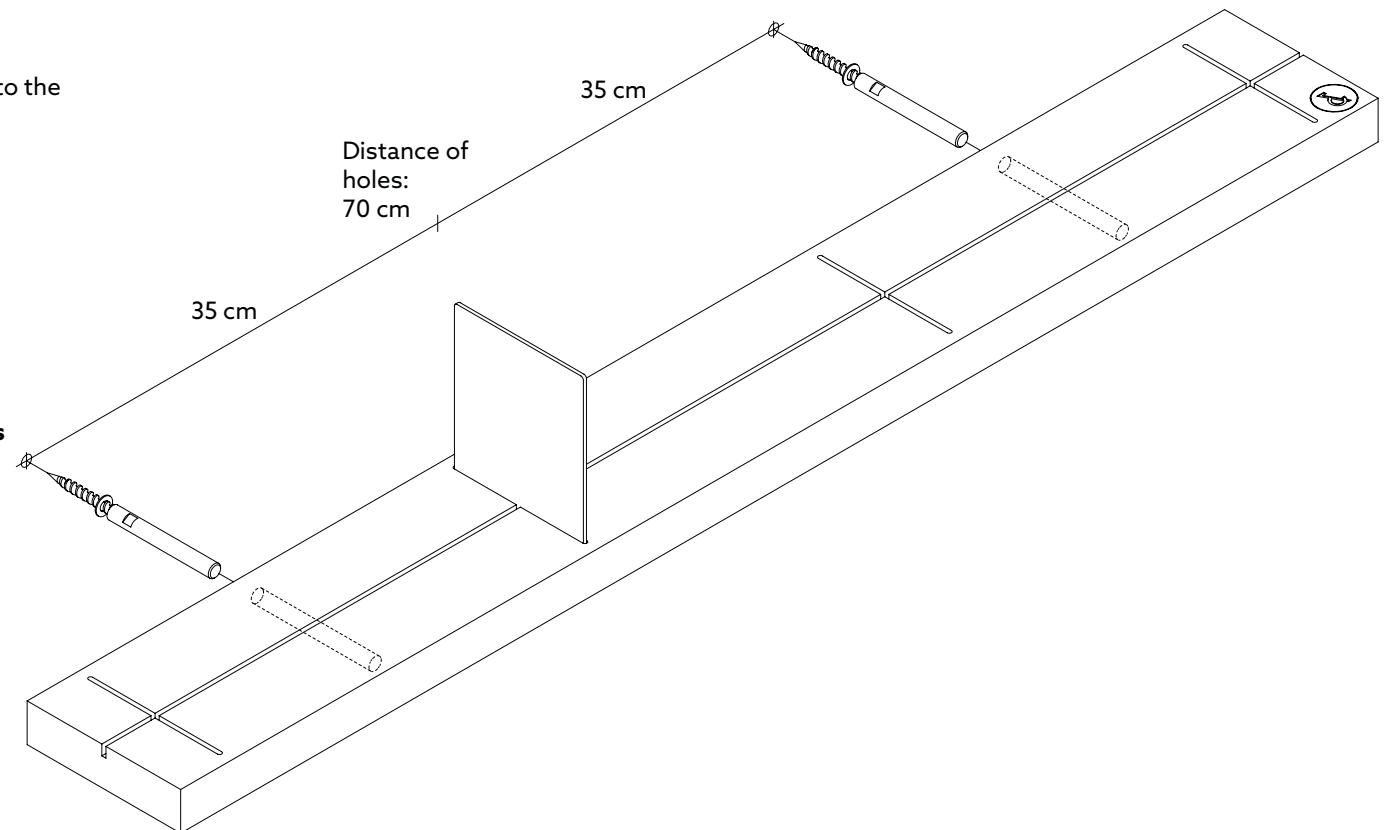
**The full load-bearing capacity of the shelf can only be met if it is securely and correctly attached to the wall.**

### TECHNICALSUPPORT:

post@weldco.de

### YOU'LL NEED:

Spirit level  
Pencil  
Drill  
10 mm-Drill bit  
(please select an appropriate drill bit for your wall material)  
10mm-Wrench



# Mounting instructions for walls made of lightweight materials (drywall or similar)

## 01 Wall Shelf

weld & co

### PLEASE NOTE:

The wall anchors and screws needed for mounting are NOT included. Please use the correct types of screws and wall anchors for the material of your wall and, if necessary, ask at the hardware store for the appropriate fastening materials.

### MOUNTING:

1. Using a spirit level and a pencil, draw an approx. 80 cm line on the wall where you plan to hang the shelf.
2. Mark the middle of the line with a pencil. From this point, measure 35 cm to the left and to the right, marking these spots. The two marks indicate the distance between the two shelf supports, 70 cm.
3. Center the shelf supports on the left and right marks and use the pencil to trace the screw-holes onto the wall.
4. Screw a wall anchor into the center of each of the four marks. For precise results, we recommend pre-drilling a small hole for each anchor.
5. Screw each shelf support securely into the anchors with two screws.
6. Place the shelf onto the shelf supports.

### OUR TIP:

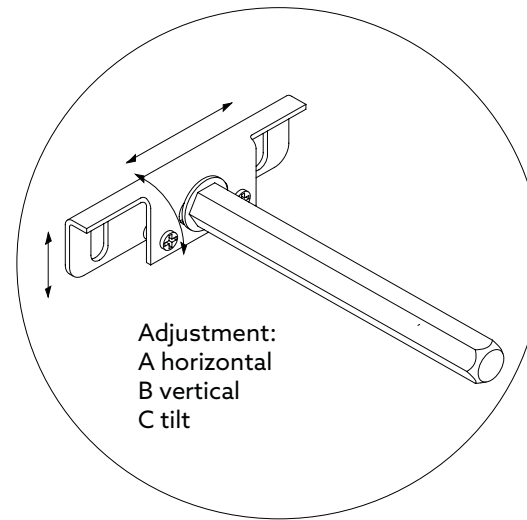
Get a second person to help you hang the shelf.

### PLEASE NOTE:

The full load-bearing capacity of the shelf can only be met if it is securely and correctly attached to the wall.

### TECHNICAL SUPPORT:

post@weldco.de



### YOU'LL NEED:

- Spirit level
- Pencil
- Drill
- Drill bit
- Phillips screwdriver

